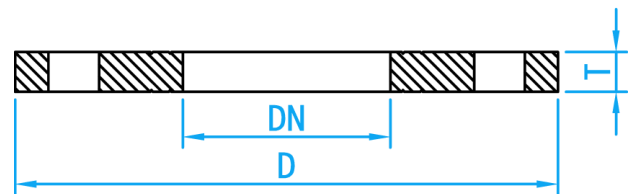
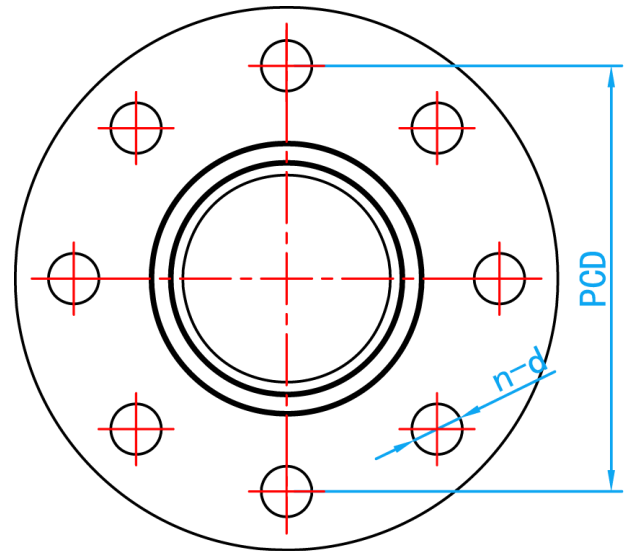


HEAVY DUTY DUCTILE IRON SOFF(Slip-On Flat Face) FLANGE PN16

COMPLY WITH BSEN545



CROSS SECTIONAL VIEW

COMPONENT PARTS

PARTS	MATERIAL
Flange	DUCTILE IRON

DIMENSIONS

SKU	SIZE (mm)	PCD (mm)	n-d (mm)	D (mm)	T (mm)	WEIGHT (kg)
DIFSO080THK15	80	160	8-18	200	15	2.8
DIFSO100THK15	100	180	8-18	220	15	3.0
DIFSO150THK15	150	240	8-22	285	15	3.9